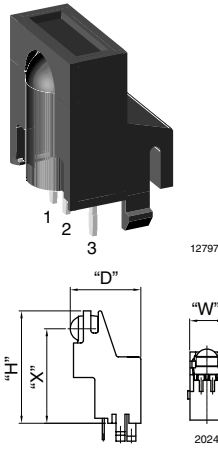


# IR Receiver Modules for Remote Control Systems


**FEATURES**

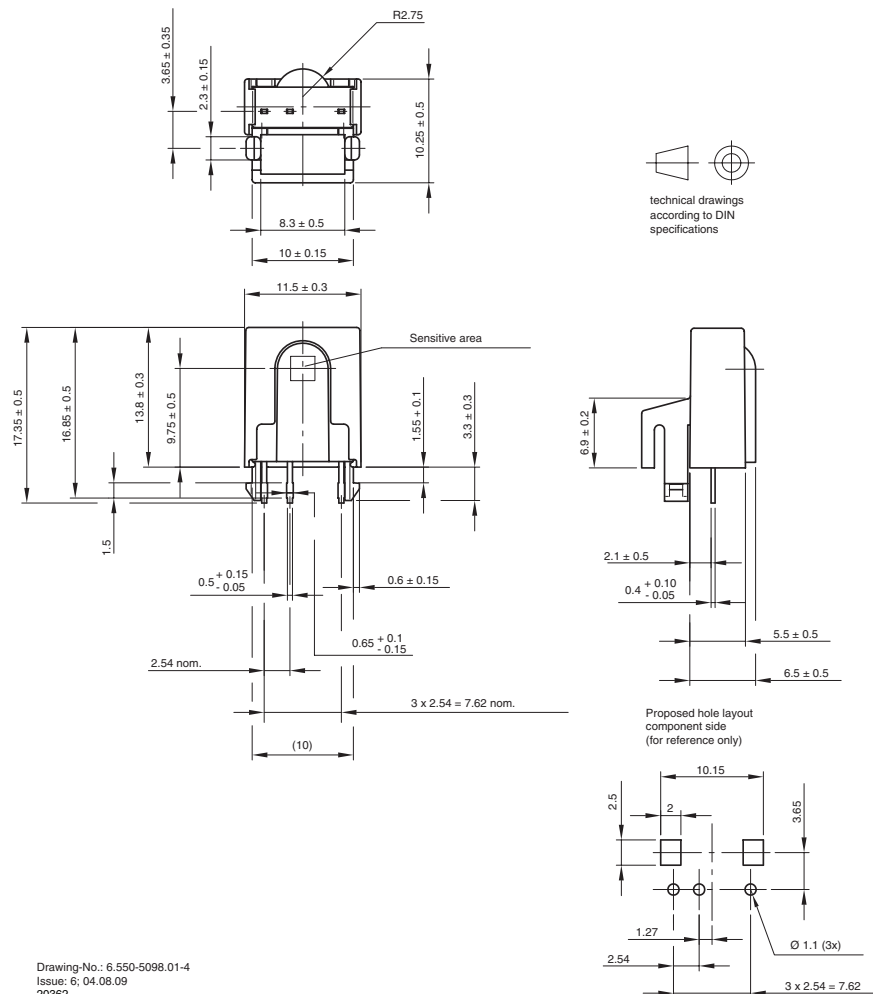
- Compliant to RoHS directive 2002/95/EC and in accordance to WEEE 2002/96/EC


**AVAILABLE FOR:**

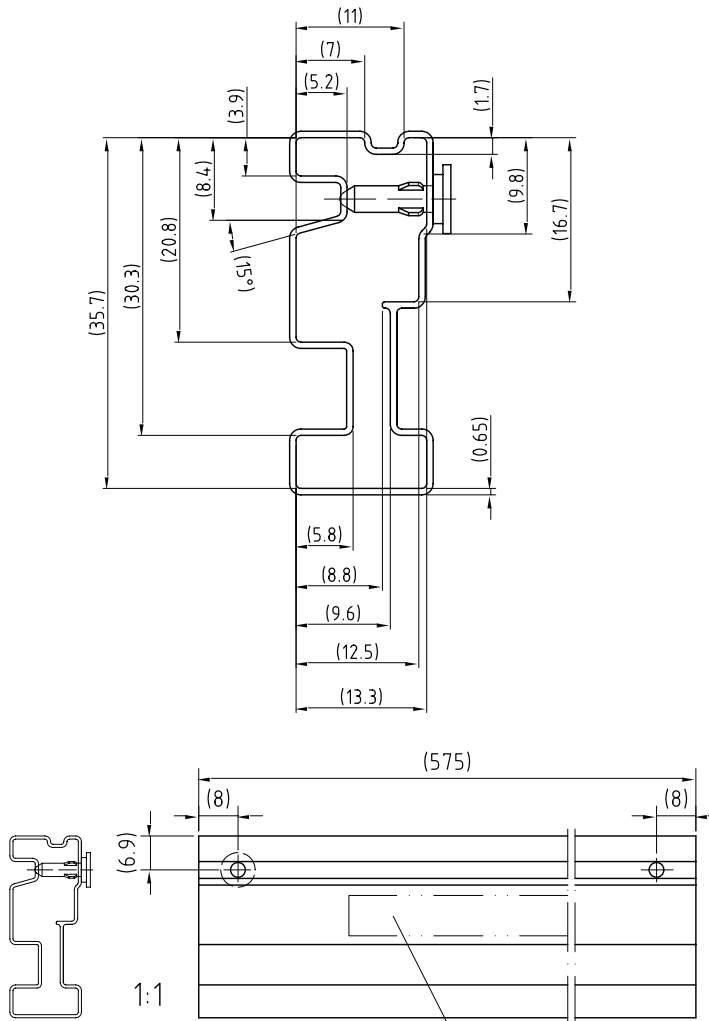
- TSOP31...
- TSOP1...


**RoHS**  
COMPLIANT

NAME	LENS AXIS (X)	VIEW	TYPE	HEIGHT (H)	WIDTH (W)	DEPTH (D)
KA1	9.75	Side	Holder	13.8	11.5	11.25

**MECHANICAL DIMENSIONS** in millimeters

 Drawing-No.: 6.550-5098.01-4  
 Issue: 6; 04.08.09  
 20362

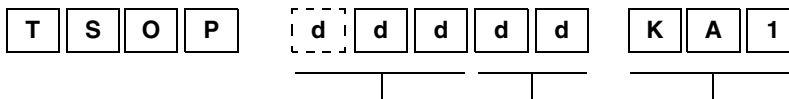
**PACKAGING DIMENSIONS** in millimeters



Drawing-No.: 9.700-5155.0-4  
 Rev. 6; Date: 20.11.03  
 20308-1

Druck / Printing for tubes  
 1400-5548.0-3 Version 1

**ORDERING INFORMATION**



2 or 3 digit product series    2 digit frequency    Holder type

**Note**

d = "digit", please consult the list of available series on the previous page to create a valid part number.

**Example: TSOP31238KA1**

**PACKING QUANTITY**

- 48 pieces per tube
- 18 tubes per carton